



For safety reasons, we kindly ask you to read this installation and user guide before fitting and using the product. The installation shall be carried out by licensed electrician. Please consult with a qualified electrician to confirm appropriate compliant installation location.

Please unpackage and inspect Shaving cabinet prior to installation. Any transport damage must be reported before installation or will not be covered by warranty. Once it is installed, supplier and resellers are not liable any damage.

Handling Tips:

Please do not stand mirrors or shaving cabinet up on any hard surface as will damage the glass and always lift it with two people or more.



Our mirror products are RCM certified to Australian standards. As such, it is recognised as an electrical appliance and cannot be altered in any way. This means power points or additional fixings cannot be added. Doing so will void all certification and warranty.

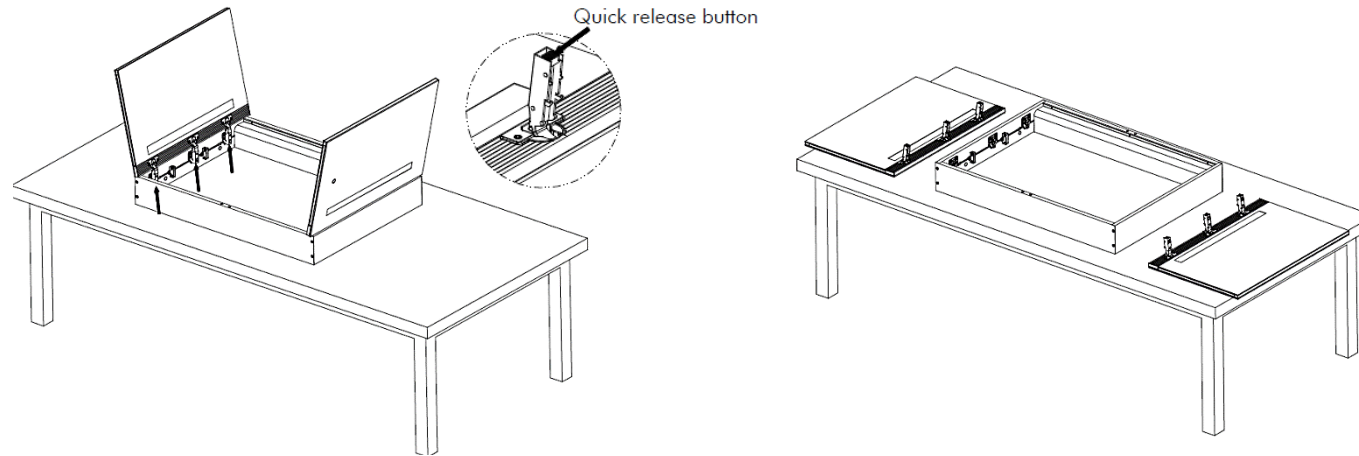
General information and maintenance

1. Use appropriate wall fixing for your wall type.
2. The mirror is suitable for zone 2 or higher.
3. Switch off the electrical supply at the mains before the installation and maintenance.
4. Do not leave the mirror on for prolonged period.
5. For cleaning and maintenance, please wipe the mirror surface with a 1:10 ratio of methylated spirits to water mix. Please do not use other glass cleaning products as it may damage the mirror.

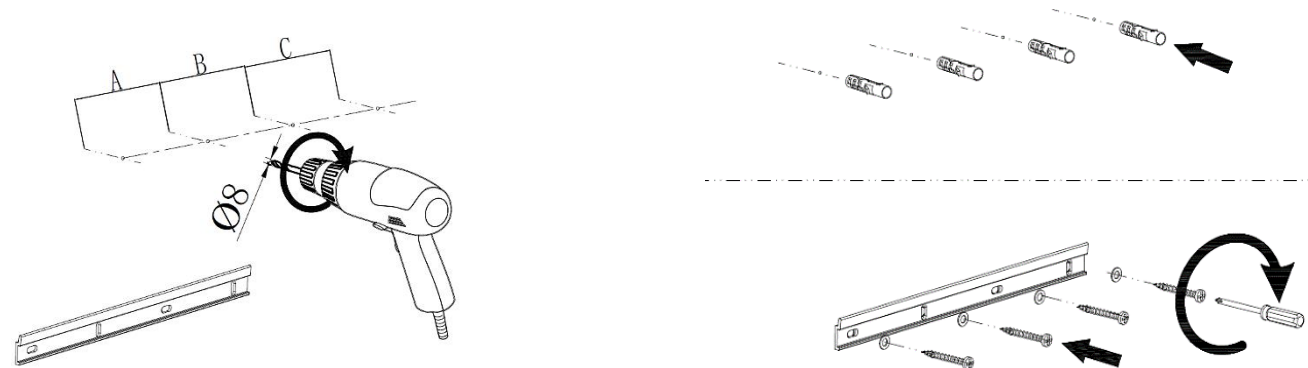
Wall Mounted Installation Instructions

*Diagrams are for guide only. The screws and/or anchor should be suited to the stud material and type of wall.

1. Remove doors and lay flat on a soft surface (do not stand on its end as it will damage glass). Unhinge the hinge by pressing the quick release button at the back of the mounting. **PLEASE DO NOT UNSCREW THE HINGE FROM THE DOOR.**

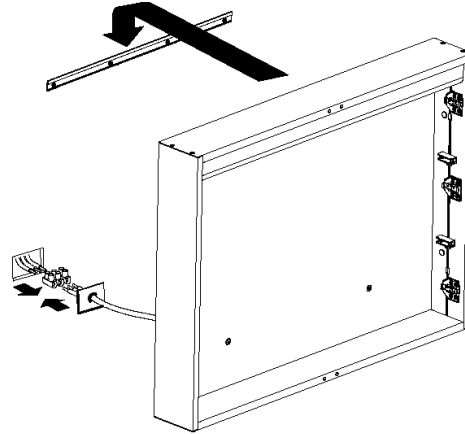
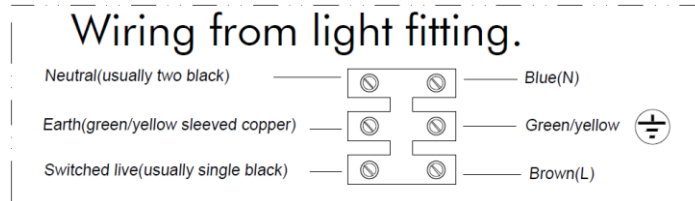


2. Locate mounting bracket and fix to wall using supplied or correct fixing for your wall type. At the desired height and make sure the bracket is level.

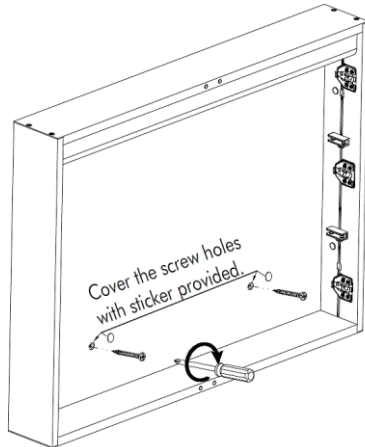


Wall Mounted Installation Instruction

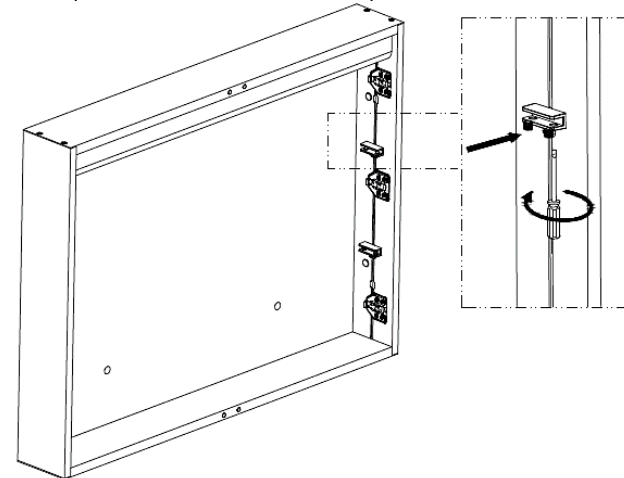
3. Connect wiring as per diagram and mount cabinet on wall bracket (excess cable can be fed back into the wall).



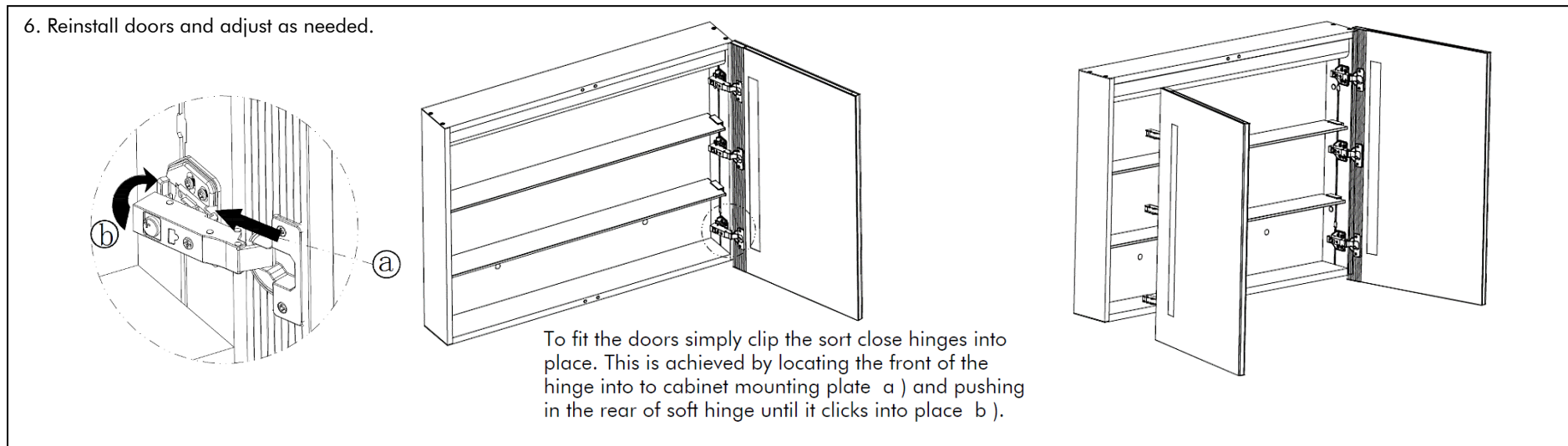
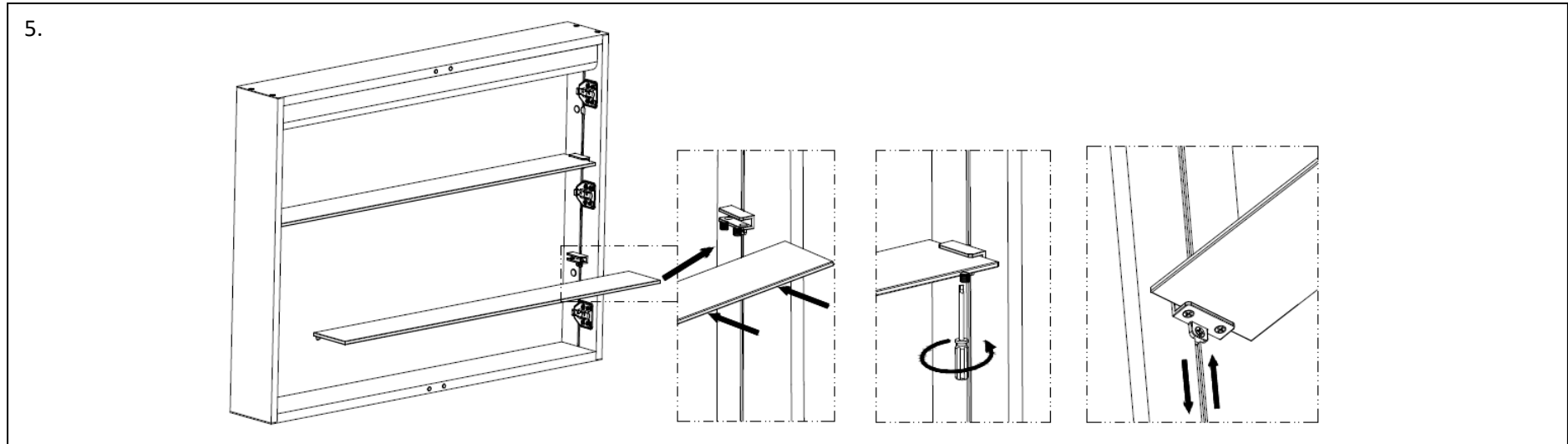
4. Attach fixings through pre-drilled holes in back of cabinet (this will stop the cabinet coming off bracket). Cover screws and holes with supplied covers.



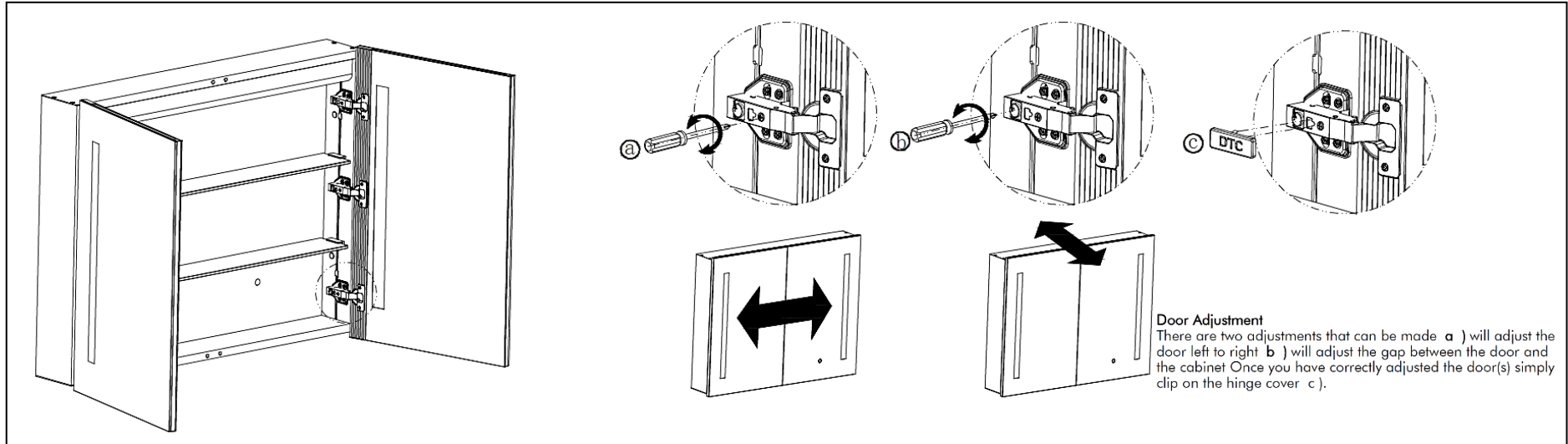
5. Install shelves as per shelf instructions and adjust. Frosted side down.



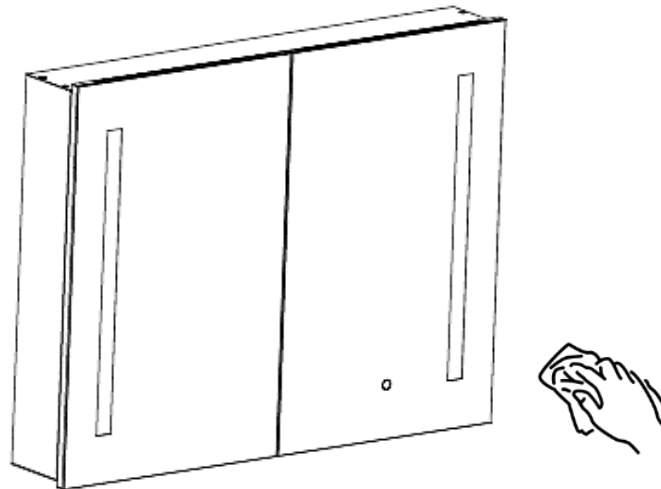
Wall Mounted Installation Instruction



Wall Mounted Installation Instruction



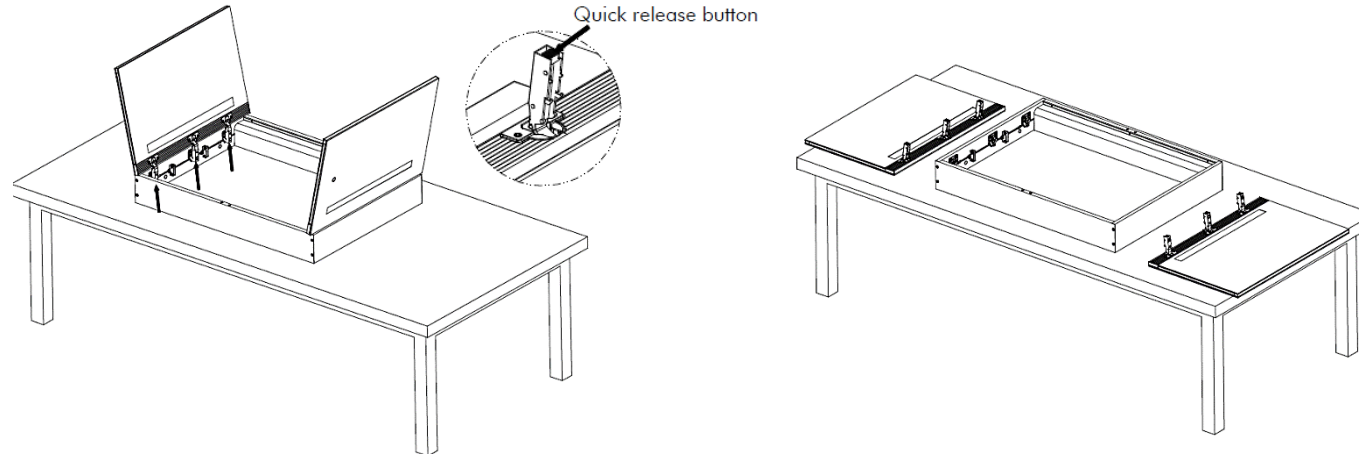
7. Clean with soft cloth and test.



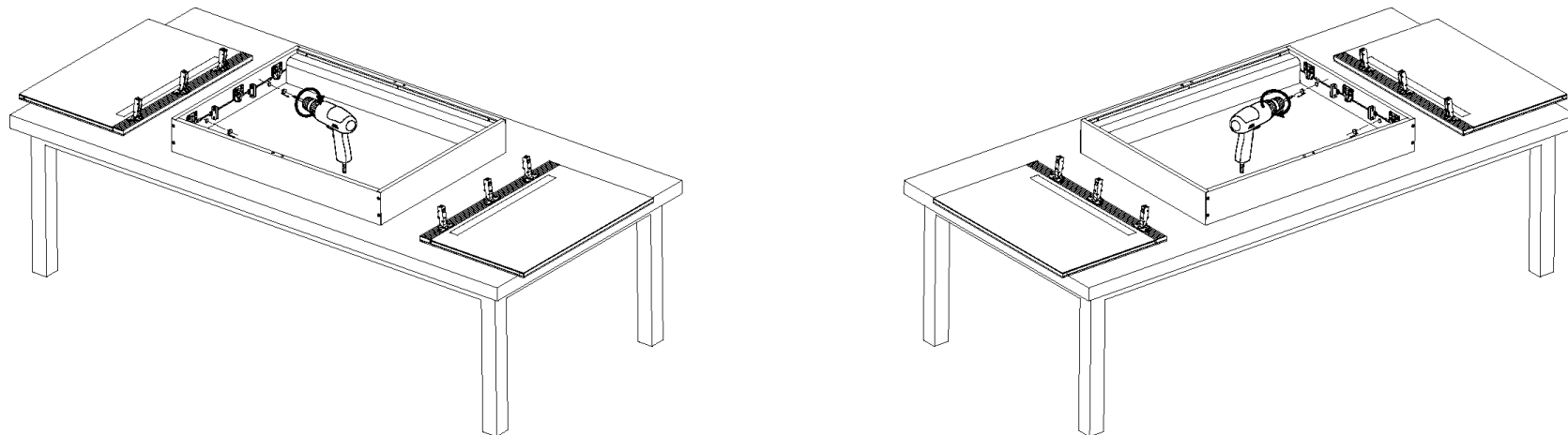
Semi Recessed Installation Instructions

*Diagrams are for guide only. The screws and/or anchor should be suited to the stud material and type of wall.

1. Remove doors and lay flat on a soft surface (do not stand on its end as it will damage glass). Unhinge the hinge by pressing the quick release button at the back of the mounting. **PLEASE DO NOT UNSCREW THE HINGE FROM THE DOOR.**

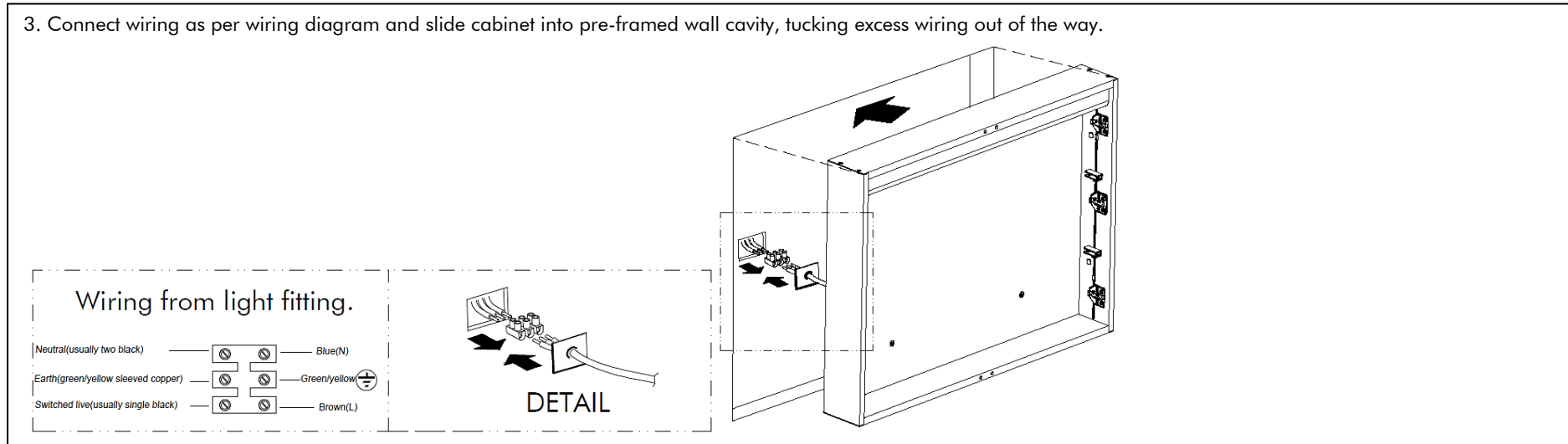


2. Remove rubber grommets from both left and right sides of the cabinet, 4 in total. Using the holes as a guide drill holes through outer edge of the cabinet.

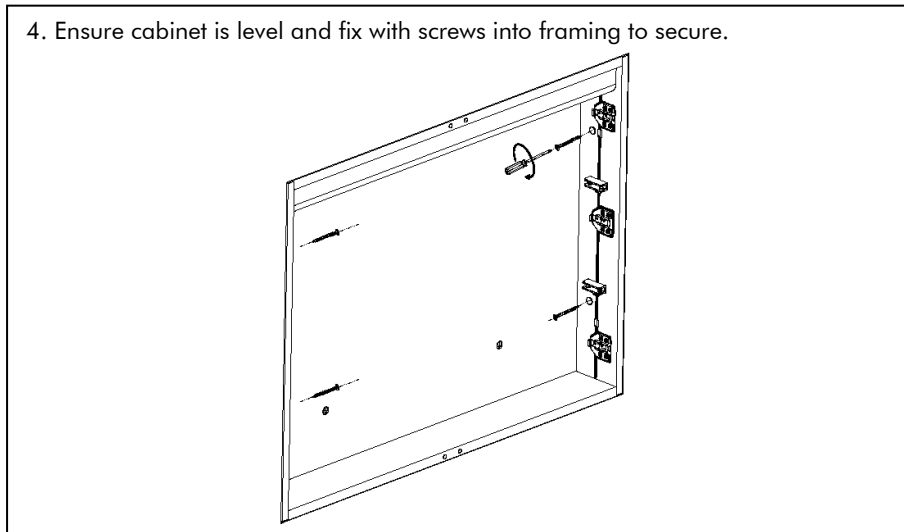


Semi Recessed Installation Instruction

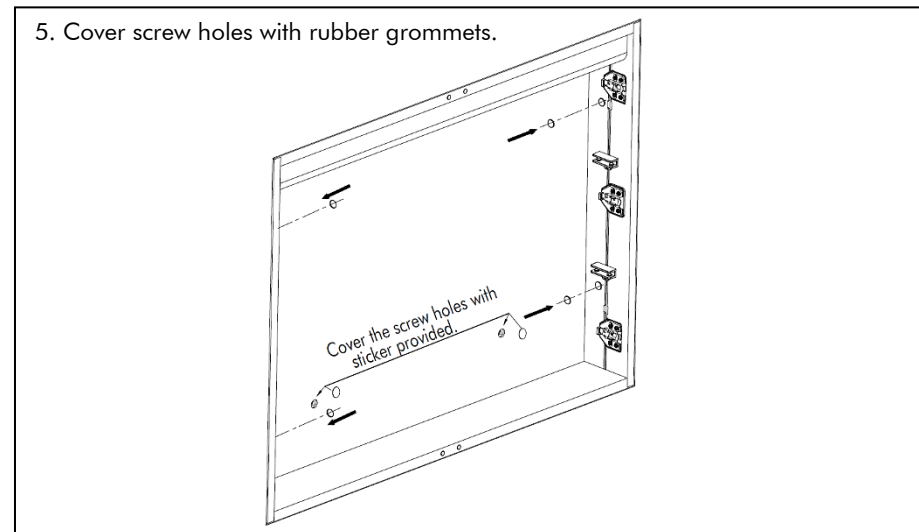
3. Connect wiring as per wiring diagram and slide cabinet into pre-framed wall cavity, tucking excess wiring out of the way.



4. Ensure cabinet is level and fix with screws into framing to secure.

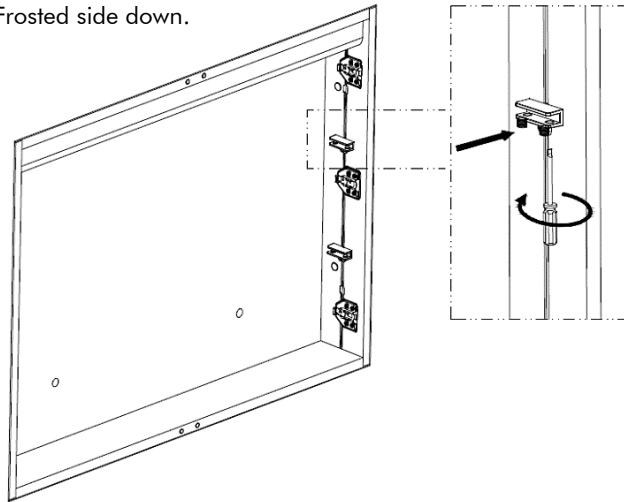


5. Cover screw holes with rubber grommets.

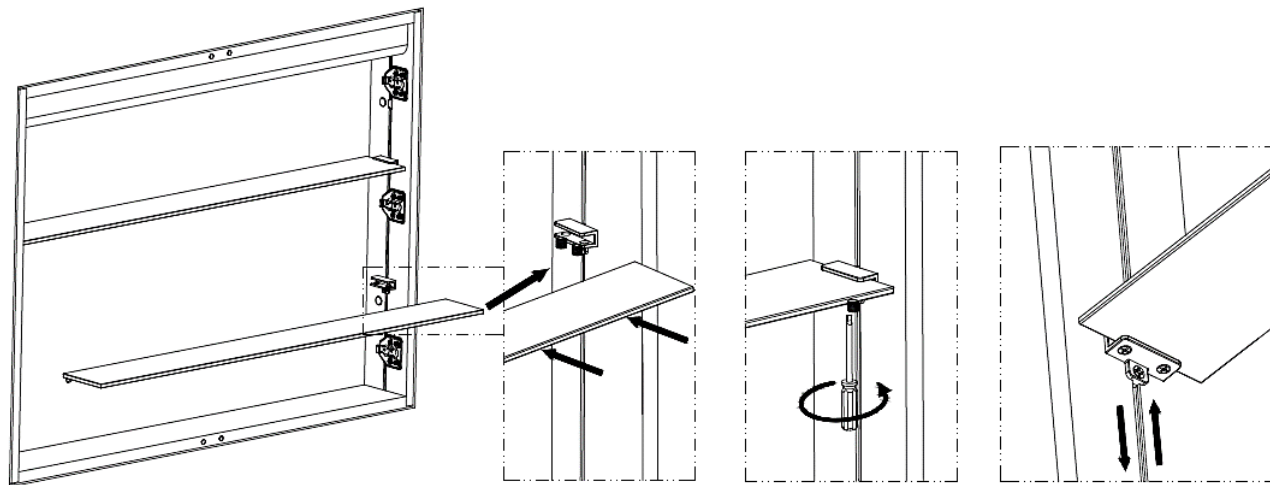


Semi Recessed Installation Instruction

6. Install shelves as per shelf instructions and adjust. Frosted side down.

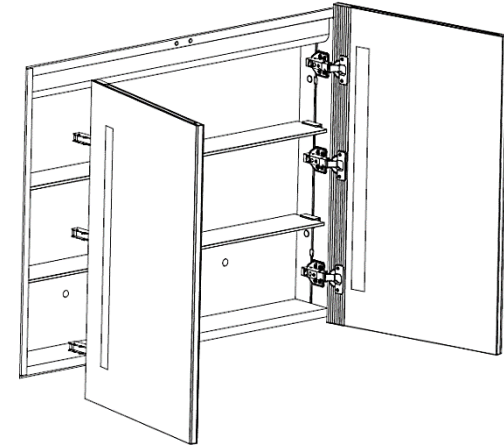
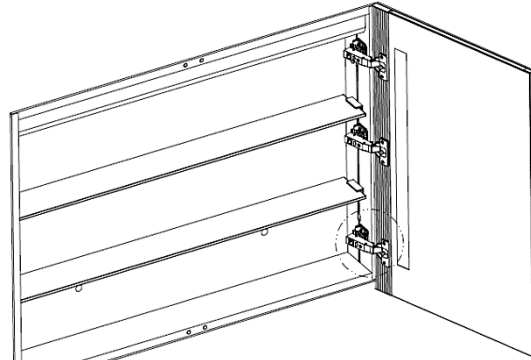
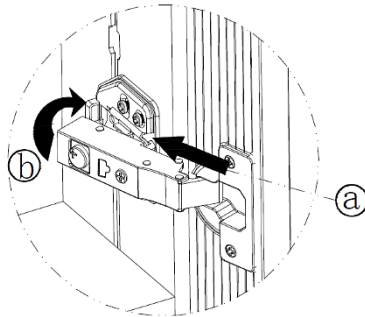


6.



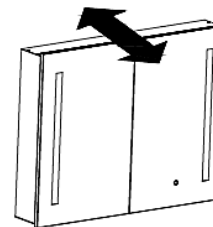
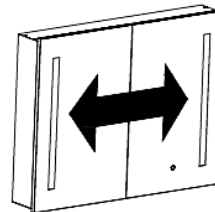
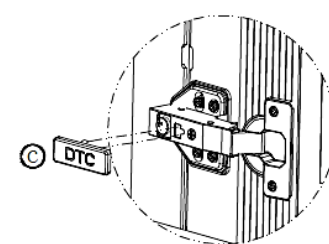
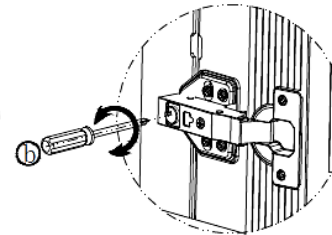
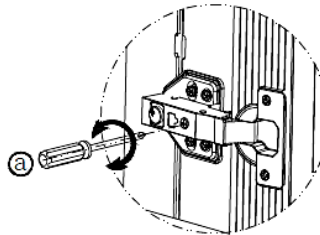
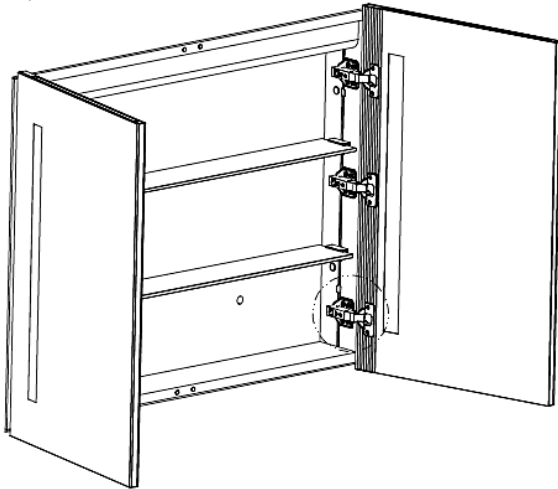
Semi Recessed Installation Instruction

7. Reinstall doors and adjust as needed.



To fit the doors simply clip the sort close hinges into place. This is achieved by locating the front of the hinge into to cabinet mounting plate a) and pushing in the rear of soft hinge until it clicks into place b).

7.



Door Adjustment

There are two adjustments that can be made a) will adjust the door left to right b) will adjust the gap between the door and the cabinet Once you have correctly adjusted the door(s) simply clip on the hinge cover c).

Semi Recessed Installation Instruction

8. Clean with soft cloth and test.

