

AMBER 1200

LED SHAVING CABINET

FINISH

Silver Aluminium

PRODUCT CODE

A120D

SPECIFICATIONS

WIDTH	1200mm
HEIGHT	700mm
DEPTH	145mm
WEIGHT	35kg

LIGHTING SPECIFICATIONS

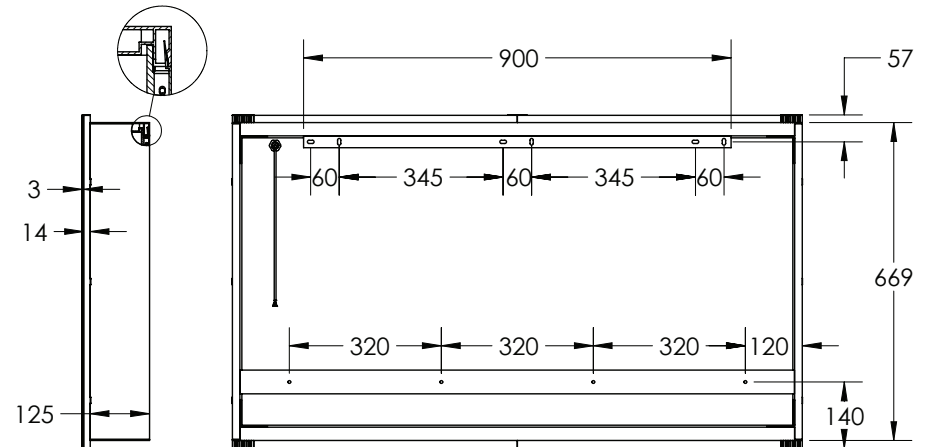
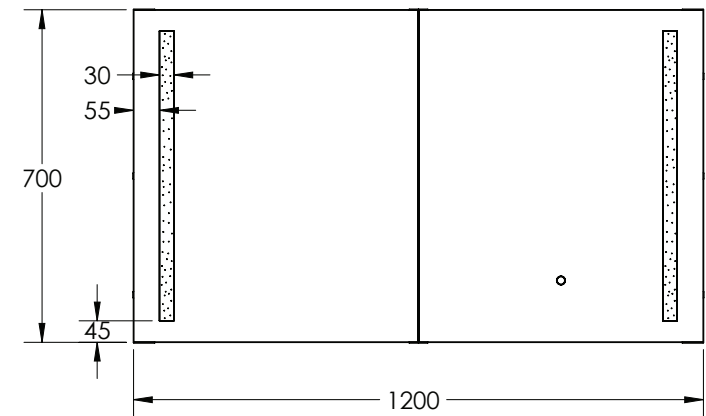
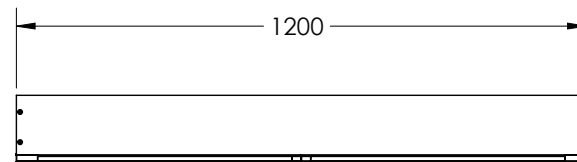
CCT	6500K – daylight
CRI	>80

INSTALLATION

- Wall mount
- Hardwired
- Input voltage: 220-240v 50Hz
- Includes wall mount split batten
- Mounting holes are provided for semi-recessed mounting

FEATURES

- Copper Free Mirror
- LED Lighting (6500K)
- Frontlit
- Touch Sensor
- Demister on all Doors
- Soft Close
- Concealed Wire Technology
- Adjustable Glass Shelves
- Double-Sided Mirror Doors
- Semi-recessable



Disclaimer: All LED Products requiring hardwiring must be installed by a licensed electrician in accordance with local regulations. Sizes are in mm and nominal and should be checked prior to installation. Actual colours may vary so please check colour samples before ordering. Installation is acceptance of our products. Installation of faulty, warped, chipped or damaged products will void our warranty.