

**ZERO BACK TO WALL EXTRA HIGH  
RIMLESS TORNADO FLUSH  
TOILET SUITE**

---



### Model: MB-028

Extra High Back To Wall Rimless Tornado Flush

Toilet Suite

Size: 660x375x850mm

S-trap:75-180mm

P-trap:180mm Roughing-in

Single Hole Tornado Flush

Soft Closing Slim Toilet Seat



- 15 Years Warranty on Ceramic**
- 3 Years Warranty on Parts**
- 1 Year Warranty on Toilet Seat**
- First 12 months on site Support**
- 3.5L Average Flush**



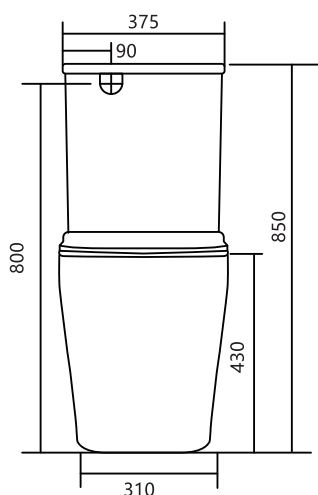
### Colors Of Button

- Code: A3626BG-B  
Finishing: Brushed Gold
- Code: A3626BN-B  
Finishing: Brushed Nickel
- Code: A3626GM-B  
Finishing: Gun Metal
- Code: A3626B-B  
Finishing: Matte Black
- Code: A3626W-B  
Finishing: Gloss White
- Code: A3626BZ-B  
Finishing: Brushed Bronze

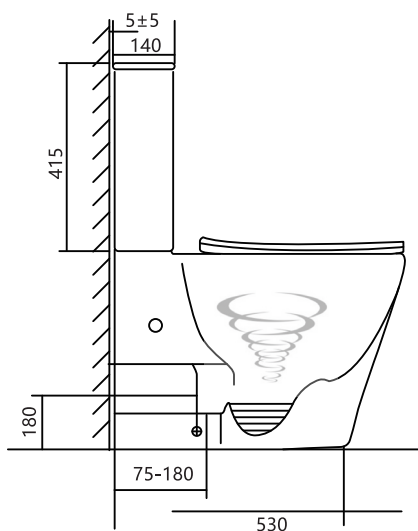
### Specifications & Data

Code	MB-028	Water Consumption	3.5L
Color	White	Trap	Universal S-trap 75-180mm "Strap"140-220mm (Extra Cost) P-trap 180mm
Warranty	15 Years Warranty On Ceramic 3 Years Warranty On Parts 1 Year Warranty On Toilet Seat First 12 Months On Site Support	Seat	Soft Closing Quick Release
Buttons Color	Chrome, Gun Metal Brushed Gold, Brushed Nickel Matte Black, Gloss White Brushed Bronze	WELS Rating & Registration	4 Stars &L07527

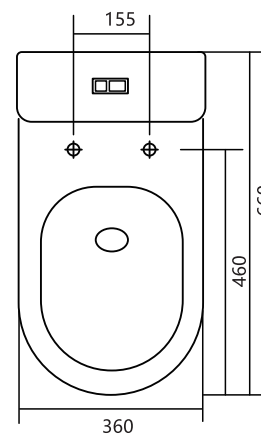
**FRONT VIEW**



**SIDE VIEW**



**TOP VIEW**

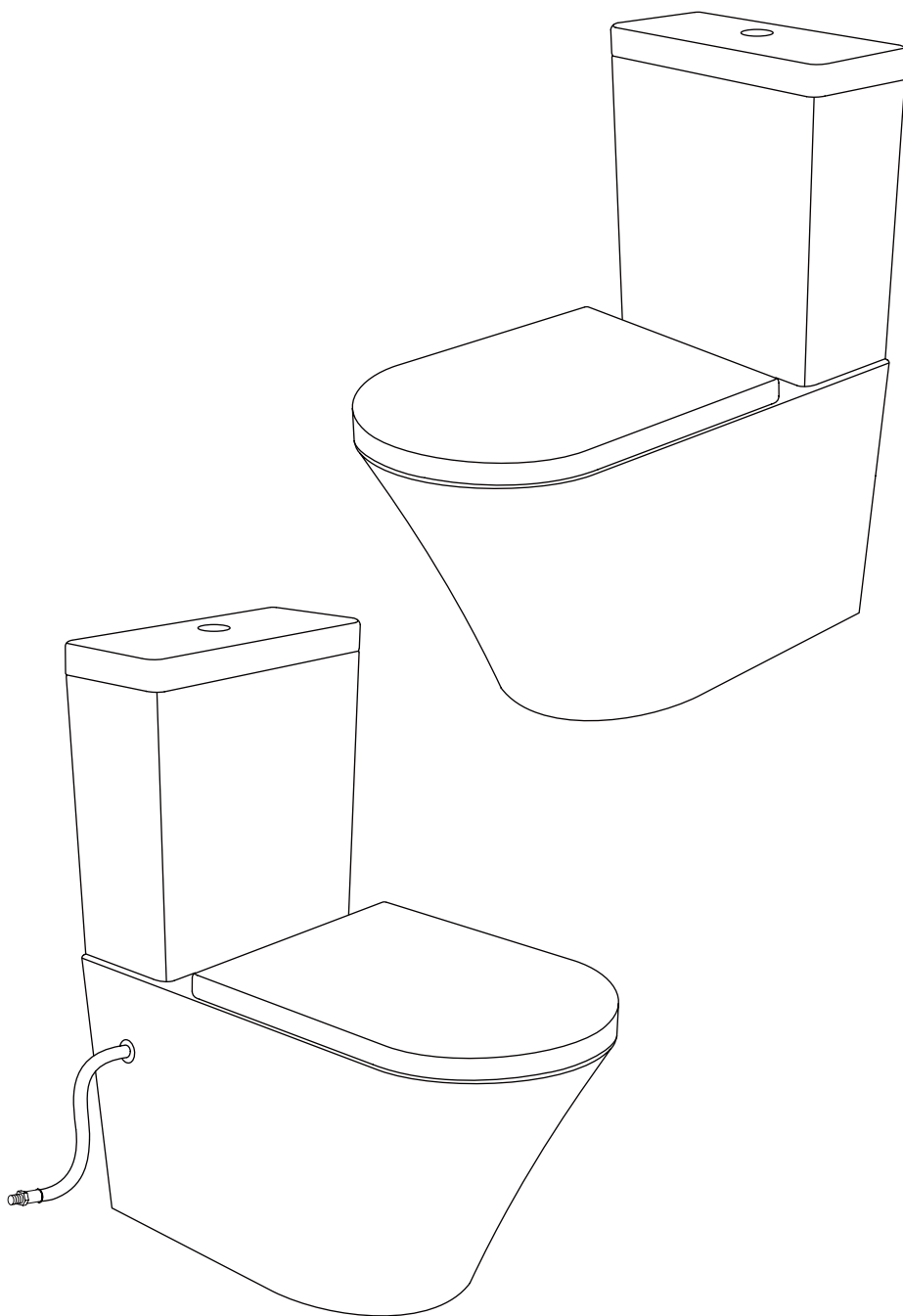


# INSTALLATION INSTRUCTIONS

# ZUMI

## TOILET

## Zumi Back To Wall Toilet Suites



NOTE: Our Back-to-Wall toilet suites are suitable for both a rear & side entry water inlet.

## BEFORE YOU BEGIN

Before proceeding with installation, please read these instructions carefully to familiarise yourself with the required tools, materials and installation sequences. Please leave these instructions for the consumer after installation.

Prior to installation, inspect the toilet to ensure that no damage has occurred in transit. If damage has occurred, or a visible defect exists, do not proceed with installation, and advise your supplier immediately.



**CAUTION:** Risk of personal injury or product damage. Handle with care. Vitreous china can break or chip if the product is handled carelessly.

- Observe all local plumbing and building codes. Installation shall be in accordance with AS/NZS 3500 and AS/NZS 6400.
- Carefully inspect the new toilet for damage.
- If the existing toilet does not have a supply shut-off valve below the cistern, install one before installing the new toilet.

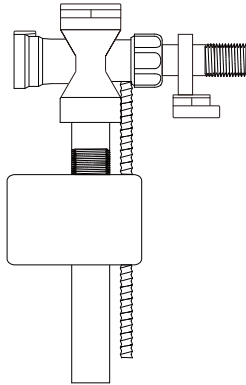
**PARTS IDENTIFICATION**



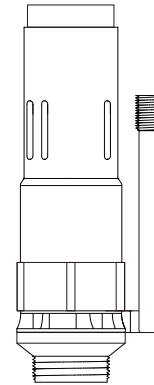
Flexi hose



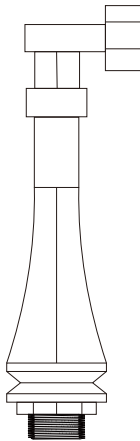
Pan side caps



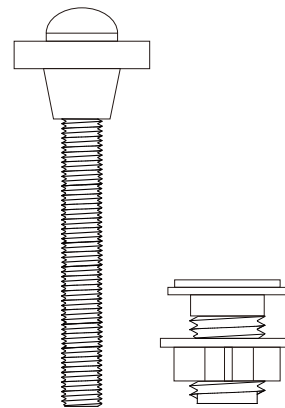
Inlet Valve  
(for Top and Lower Entry  
Supplied with cistern)



Flush Vale-Supplied with Cistern



Bottom Inlet Value-  
Supplied with cistern



Screws

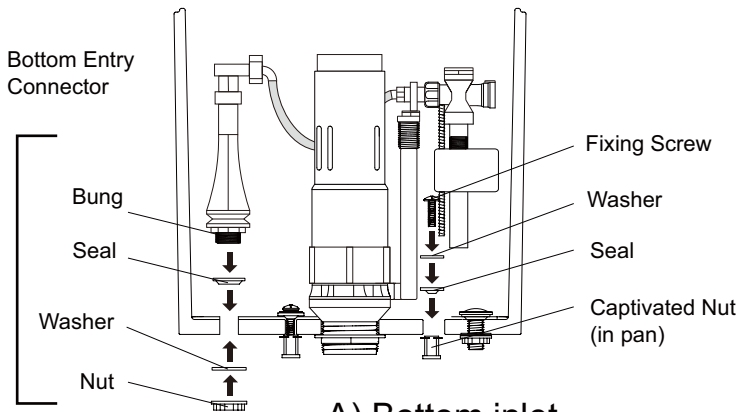


Fixing Cap

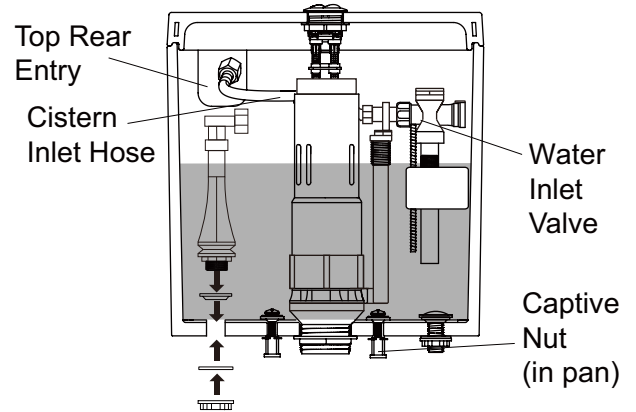
**PREPARING TO INSTALL**

**1 Identify the type of toilet installation**

A) Side Entry with Bottom Inlet or B) Top Rear Entry with Side Inlet Valve  
 For Side Entry toilets, the bottom inlet valve is supplied with the cistern



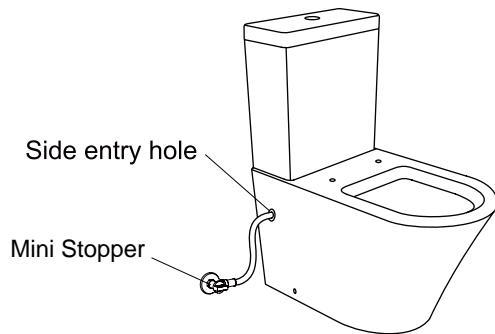
**A) Bottom inlet cistern configuration**



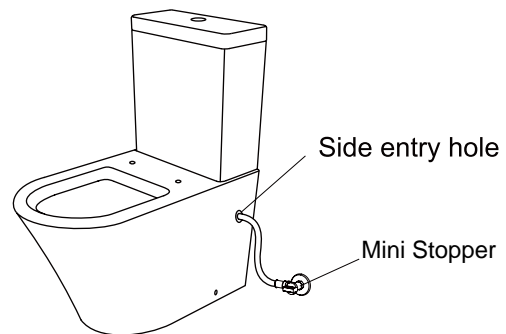
**B) Top Rear Entry cistern configuration**

For Top Rear Entry installations, skip to Pan Installation on page 6  
 For Side Entry/Bottom Inlet installations, proceed with instructions, below

**2 For Side Entry/Bottom Inlet installations, check the shut-off valve position.**



**Left-hand valve position**



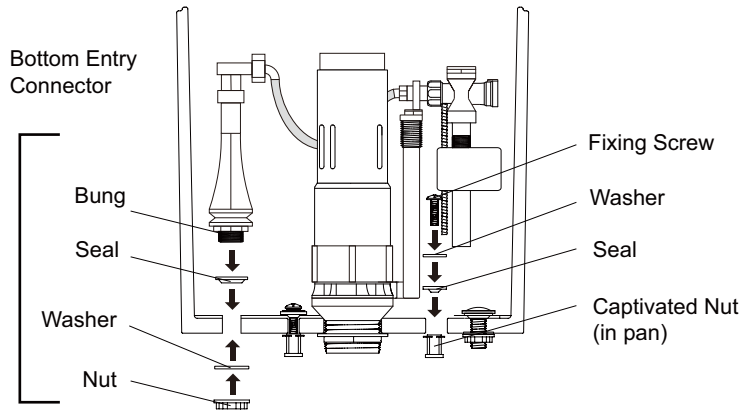
**Right-hand valve position**

**CISTERN INSTALLATION - BOTTOM INLET**

Skip this page if installing a Top Rear Entry cistern configuration.

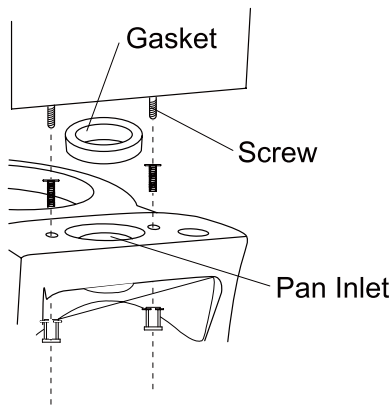
1 Remove the Side Inlet valve and 250mm hose

2 Install the Bottom Inlet valve to the cistern. Place the washers over the fixing screws and locate in cistern fixing holes

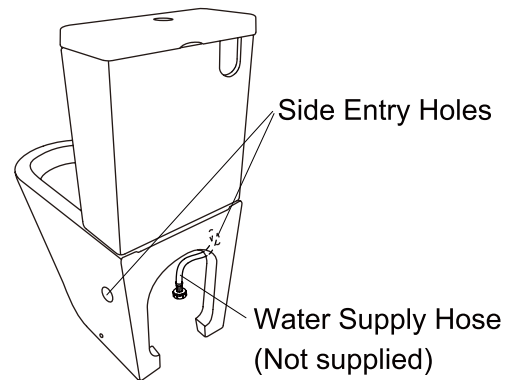


**NOTE:**  
Bottom Inlet Valve has been preset to deliver a full flush volume of 4.5L.

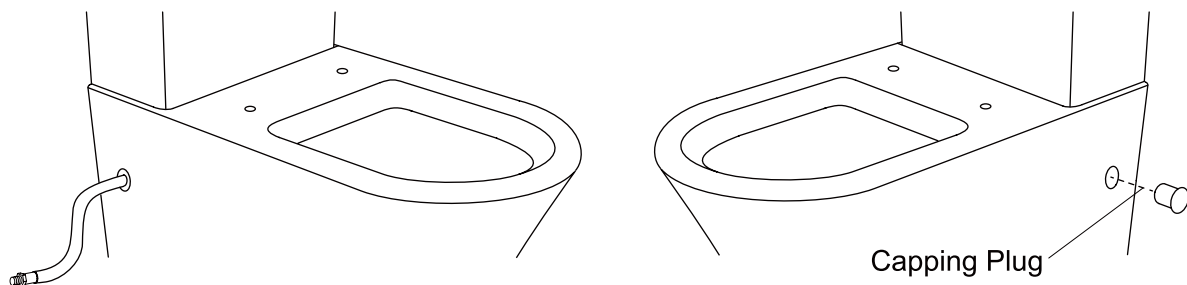
3 Position the cistern on the pan by centering the gasket on the pan inlet. Securely tighten the screws so the cistern is level.



4 Connect the supply hose to the cistern inlet and feed the hose through the appropriate side hole in the pan.

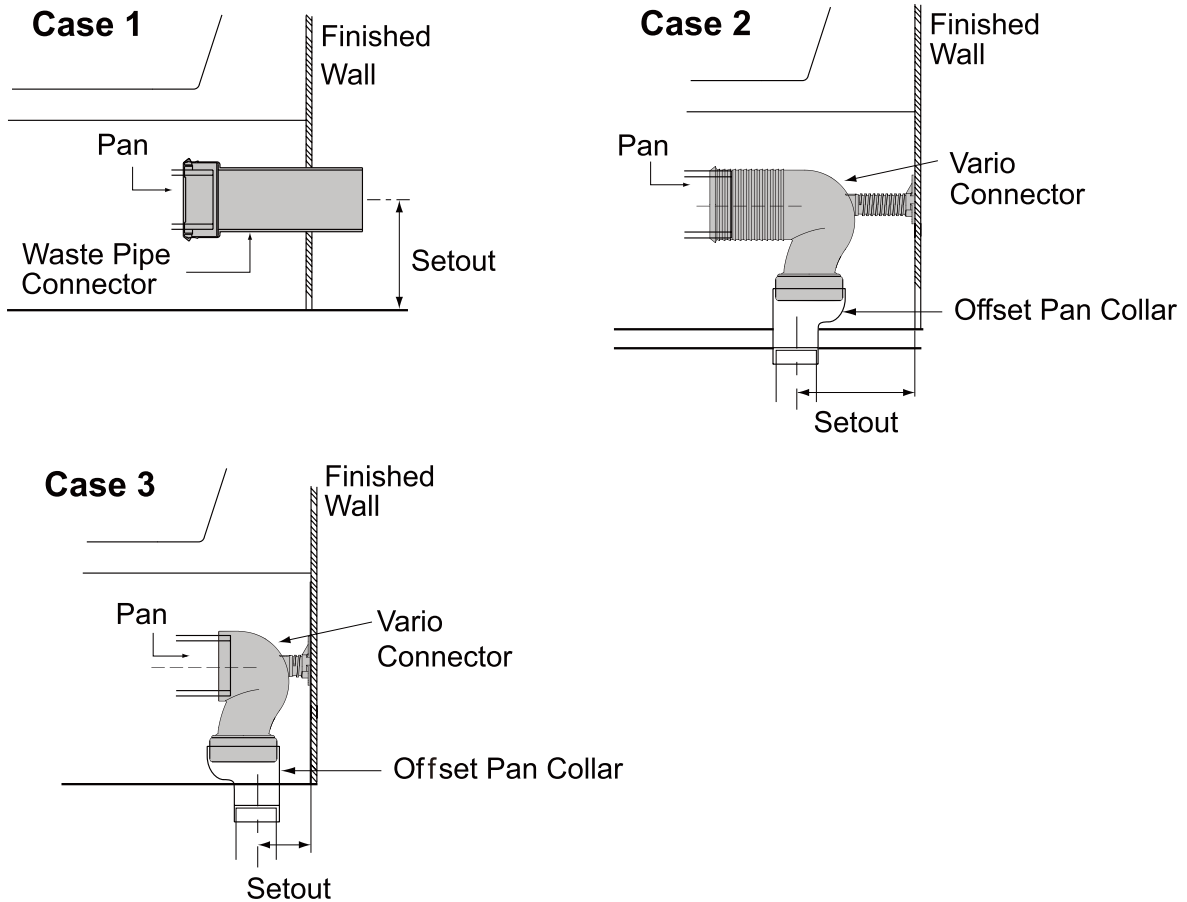


5 Connect the supply hose to the shut-off valve to test the system for leaks. Shut off the water supply and disconnect the hose. Insert a capping plug into the unused hole.

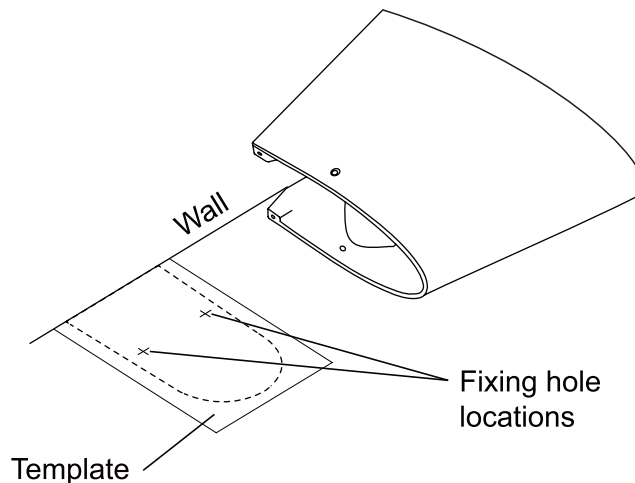


## PAN INSTALLATION

- 1 Define the position of the connector: Place the connector onto the pan, and position the connector between the outlet and waste pipe. Installation instructions are supplied with each respective pan connector.

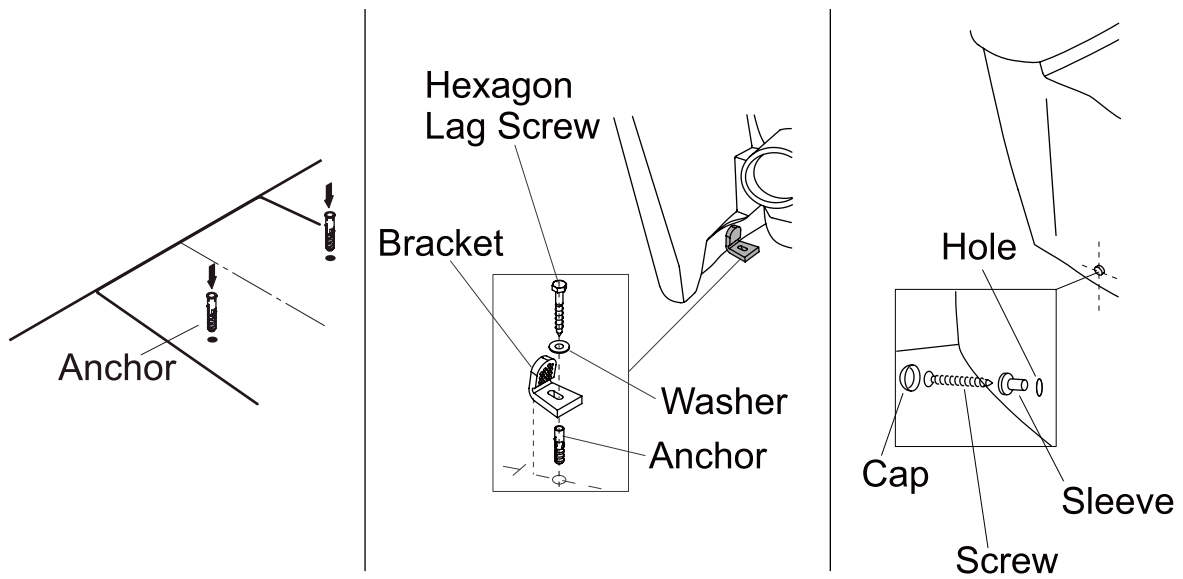


- 2 Using the template, mark the positions of the floor fixing kit holes.





- 3 Drill fixing holes at the marked locations on the floor and insert the anchors where required.



- 4 Place a washer onto each of the hexagon screws and fix the brackets to the floor.

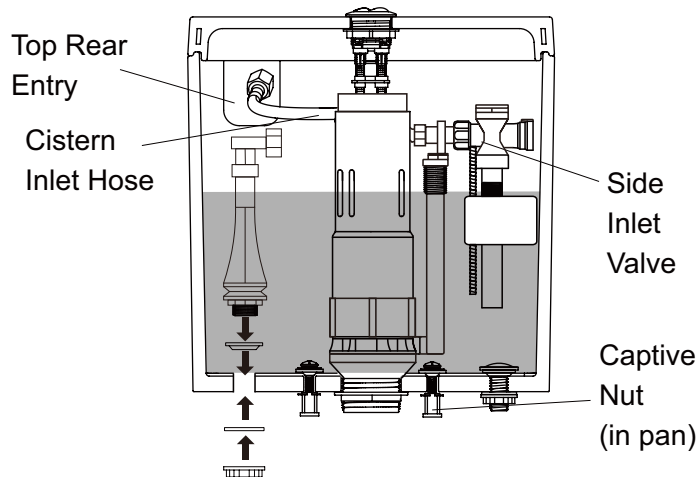
- 5 Position the toilet in the marked location, while ensuring an effective connection is made with the pan connector.

- 6 Install the plastic screw sleeves and use the screws to fix the toilet to the brackets. Attached the chromed caps to the screw heads.

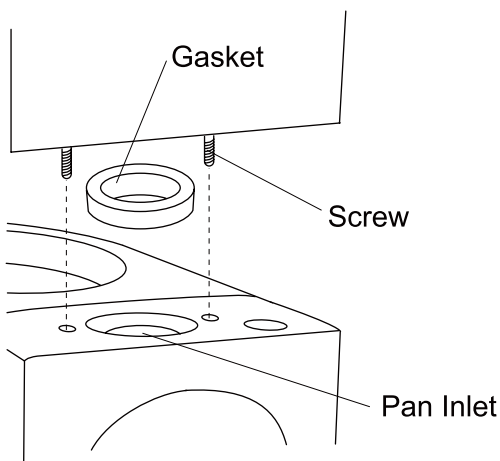
**CISTERN INSTALLATION - TOP REAR ENTRY**

Skip this page if installing a bottom inlet cistern configuration.

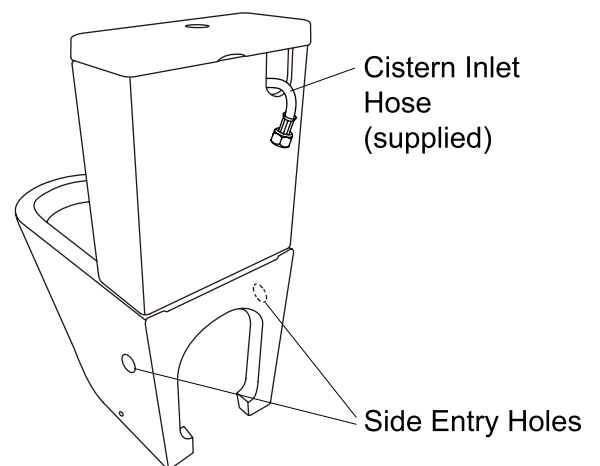
- 1 Securely install the bung into the bottom inlet of the cistern.  
Place the washers over the fixing screws and locate in cistern fixing holes.



- 2 Position the cistern on the pan by centering the gasket on the pan inlet. Securely tighten the screws so the cistern is level.



- 3 Connect the supply hose to the cistern inlet and connect the hose to the water supply shut-off valve.

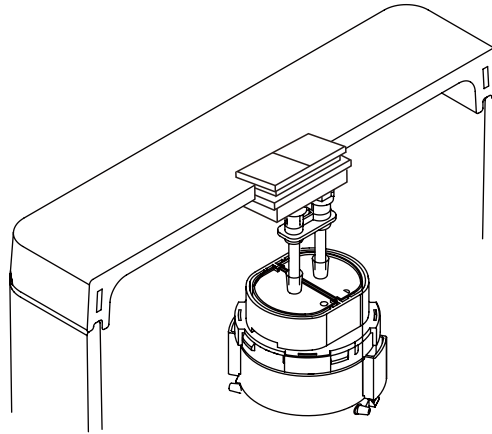


- 4 Insert capping plugs into the side entry holes in the pan.

- 5 Connect the supply hose to the shut-off valve to test the system for leaks. Shut off the water supply and disconnect the hose.

## PUSH BUTTON INSTALLATION

Fit the lid and test the buttons.  
Adjust the rods as required.

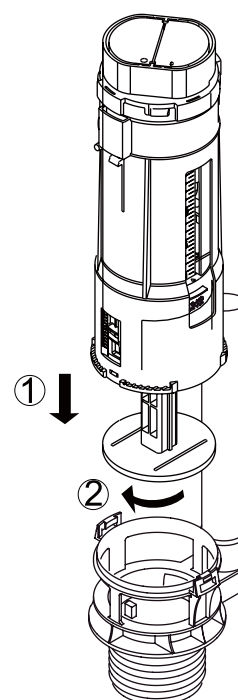
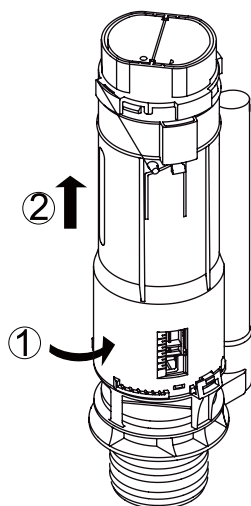


## FLUSH VALVE REMOVAL AND INSTALLATION

### Flush Valve A

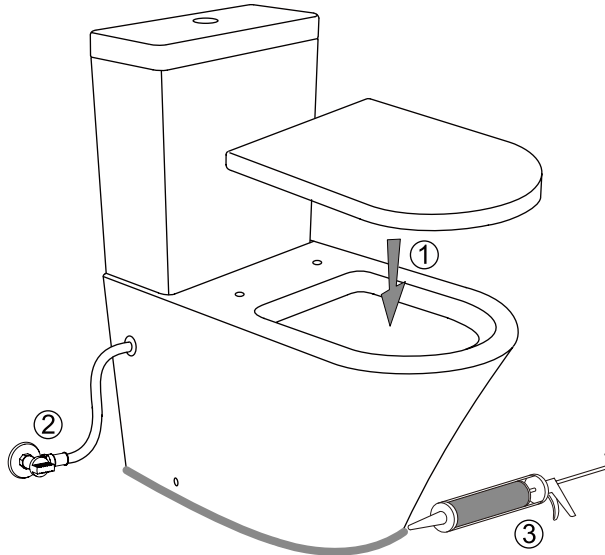
1 Release flush valve by turning anti-clockwise and pulling straight up on the canister.

2 Assemble flush valve by pushing straight down into the canister and turning clockwise.



## FINALISING INSTALLATION

- 1 Install the seat as per the supplied seat instructions. Front edge of seat should follow the shape of the front edge of the pan.



- 2 Ensure silicon rubber washer is fitted between seat connector and pan to ensure seat is rigid.
- 3 Make final connection of water supply hose to shut-off valve. Test the system for leaks.
- 4 Apply a suitable sealant between the pan and adjacent surfaces.