

CARA CARE WALL FACED RIMLESS TOILET PAN

Model: CS-6078

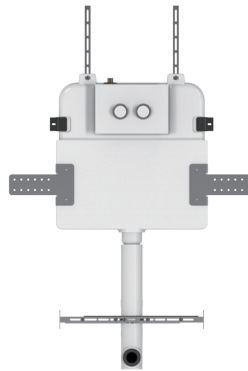
Cara Care Wall Faced Rimless Floor Pan

3.5L Average Flush

Size:800X365X430mm

S-trap:75-250mm

P-trap:180mm



- 15 Years Warranty on Ceramic**
- 3 Years Warranty on Parts**
- 1 Year Warranty on Toilet Seat**
- First 12 months on site Support**
- 3.5L Average Flush**

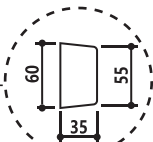


Material: ABS Plastic
Code: G3100005
Finishing: Gloss White
Package: CS-6078WH

Pneumatic

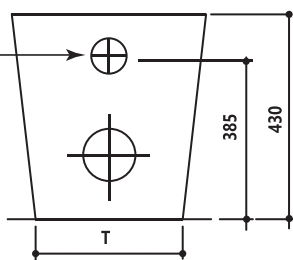
Specifications & Data

Code	CS-6078	Water Consumption	3.5L
Color	White	Trap	Universal S-trap75-250mm P-trap180mm
Warranty	15 Years Warranty On Ceramic 3 Years Warranty On Parts 1 Year Warranty On Toilet Seat First 12 Months On Site Support	Seat	DDA GREY SEAT
Buttons Color	Grey Only	WELS Rating & Registration	4 Stars & L07170

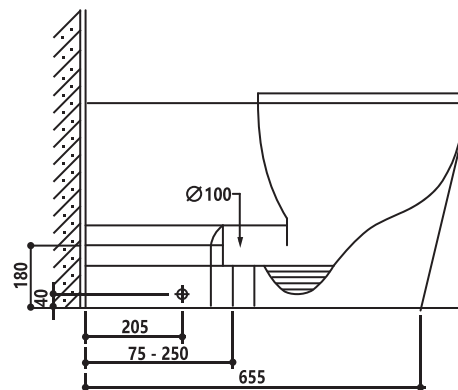


Back Inlet Detail

FRONT VIEW



SIDE VIEW



TOP VIEW

